

Squier Affinity Fat Strat

Affinity Fat Strats come from 2 different sources:
Affinity Series-Reliance. Serial numbers begin with “CY”
“Start Playing” Special-Cort. Serial numbers begin with “IC”



Reliant models “CY” serial numbers

Maple- m/n 0310602xxx

Rosewood- m/n 0310600xxx

<u>Loc #</u>	<u>Description</u>	<u>Part Number</u>
1	Standard Tuners (set of 6)	007-7426-000
2	Bone Nut (blank) (2)	099-4920-000
3	Vintage String Guides (pack of 2)	099-4910-000
4	Strap Buttons (2)	099-4915-000
5	Pickguard (white)	005-5435-000
5	Pickguard (black metallic)	006-2455-000
5a	Pickguard Screws (24)	099-4923-000
6	Affinity Neck Pickup (white)	007-7427-000
7	Affinity Middle Pickup (white)	007-7428-000
8	Affinity Bridge Humbucker Pickup	007-7429-000
6	Affinity Neck Pickup (black)	007-7430-000
7	Affinity Middle Pickup (black)	007-7431-000
8	Affinity Bridge Pickup (black)	007-7432-000
9-11	500K Split Shaft Pot (Set of 3)	005-5440-000
9-11a	Volume/Tone Knob Set (white)	007-4720-000
9-11b	Volume/Tone Knob Set (black)	099-1365-000
12	5 Way Pickup Selector Switch	005-5446-000
12a	Switch Tip (2) (white)	099-4940-000
12a	Switch Tip (2) (black)	099-4939-000
13	Output Jack/Jack Plate	005-5449-000
14	Bridge Assembly	007-7443-000
14a	Tremolo Arm	006-9969-000



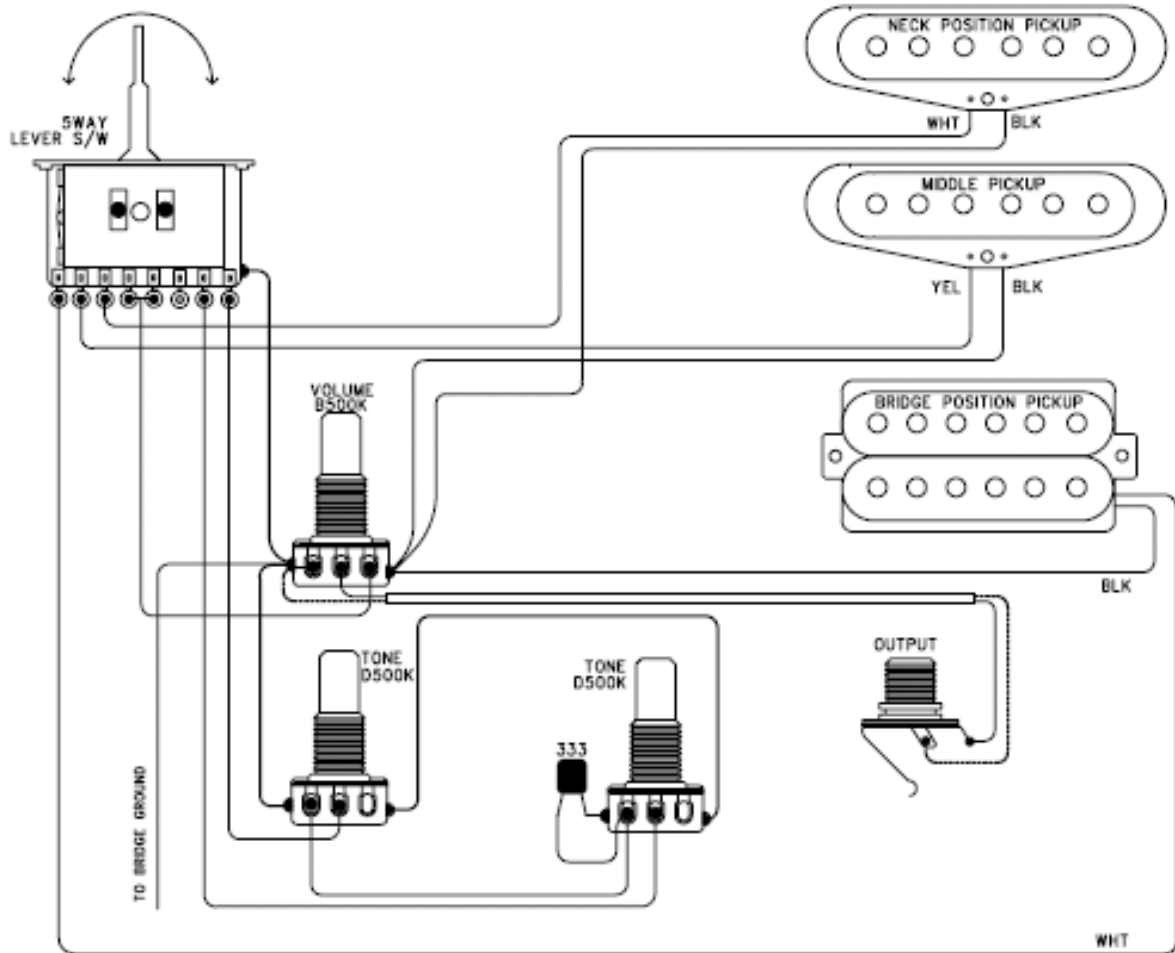
Cort models “IC” serial numbers

Maple- m/n 0310602xxx

Rosewood- m/n 0310600xxx

<u>Loc #</u>	<u>Description</u>	<u>Part Number</u>
1	Standard Tuners (set of 6)	007-3867-000
2	Bone Nut (blank) (2)	099-4920-000
3	Vintage String Guides (pack of 2)	099-4910-000
4	Strap Buttons (2)	099-4915-000
5	Pickguard (white)	005-5435-000
5a	Pickguard Screws (24)	099-4923-000
5	Pickguard Assembly (w/ controls)	007-7508-000
6	Affinity Neck Pickup	005-3381-000
7	Affinity Middle Pickup	005-3382-000
8	Affinity Bridge Humbucker Pickup	005-5384-000
9	500K Split Shaft Pot (Volume)	006-2382-000
10-11	500K Split Shaft Pot (Tone)	006-2383-000
9-11a	Volume/Tone Knobs (ea) (white)	005-5425-000
12	5 Way Pickup Selector Switch	005-5412-000
12a	Switch Tip (2) (white)	099-4940-000
13	Output Jack	007-2892-000
14	Jack Plate (chrome)	007-2893-000
15	Bridge Assembly	005-5409-000
15a	Tremolo Arm	004-1359-000

Wiring Diagram



Control Function

